

- NOTES:
1. 5/8" ϕ MOUNTING HARDWARE IS RECOMMENDED. SEE L-BOLT-625, AND/OR STUD-ANCHOR-625.
 2. MATERIAL OF CONSTRUCTION IS 304SS BRUSHED #4 FINISH.

UNLESS OTHERWISE SPECIFIED:

DIMENSIONS ARE IN INCHES
 TOLERANCES:
 FRACTIONAL $\pm 1/32$
 ANGULAR: $\pm 2^\circ$
 TWO PLACE DECIMAL ± 0.010
 THREE PLACE DECIMAL ± 0.005

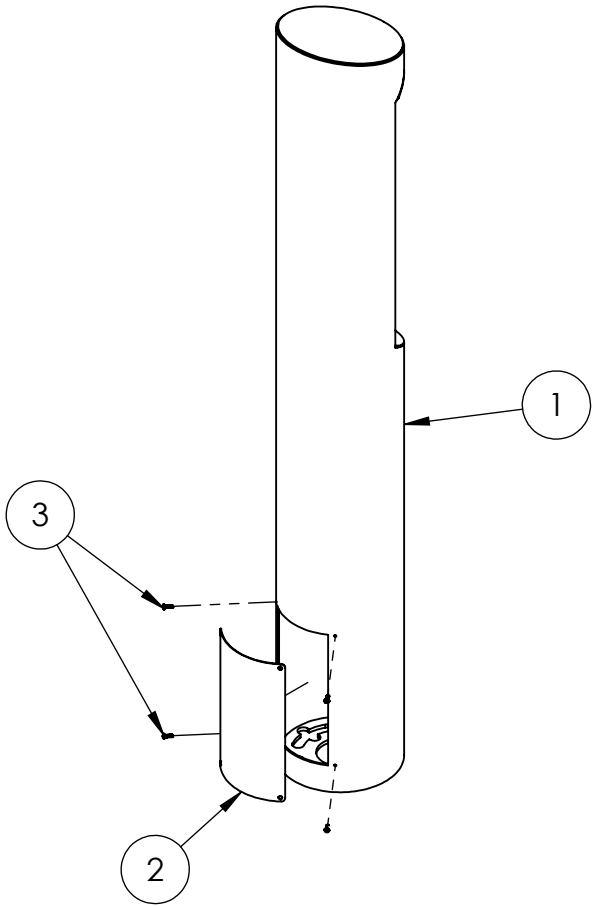
INTERPRET GEOMETRIC
 TOLERANCING PER:
 ASME Y14.5 -2009

	NAME	DATE
DRAWN		
CHECKED		

TITLE:
INSTALLATION

WEIGHT:	NO SCALE	SHEET 1 OF 9
SIZE	PART NO.	REV
A	8BOL-PRO-001-304	0

ITEM NO.	PART NUMBER	DESCRIPTION	QTY.
1	8BOL-PRO-001-304	304SS BOLLARD WELDMENT	1
2	ACCESS PANEL 8 ROUND	STANDARD 8" ROUND ACCES COVER	1
3	---	8-32 X 1/2 SS BUTTON HEAD SCREW	4



NOTES:

1. SEE STANDARD PREPARATION AND COATING INSTRUCTIONS FOR COATING PROCEDURE AND COLOR.
2. SEE STANDARD PACKAGING INSTRUCTIONS FOR PACKAGING PROCEDURE.

UNLESS OTHERWISE SPECIFIED:

DIMENSIONS ARE IN INCHES
TOLERANCES:
FRACTIONAL $\pm 1/32$
ANGULAR: $\pm 2^\circ$
TWO PLACE DECIMAL ± 0.010
THREE PLACE DECIMAL ± 0.005

INTERPRET GEOMETRIC
TOLERANCING PER:
ASME Y14.5 -2009

	NAME	DATE
DRAWN		
CHECKED		

TITLE:
ASSEMBLY

SIZE A	PART NO. 8BOL-PRO-001-304	REV 0
WEIGHT:	NO SCALE	SHEET 2 OF 9